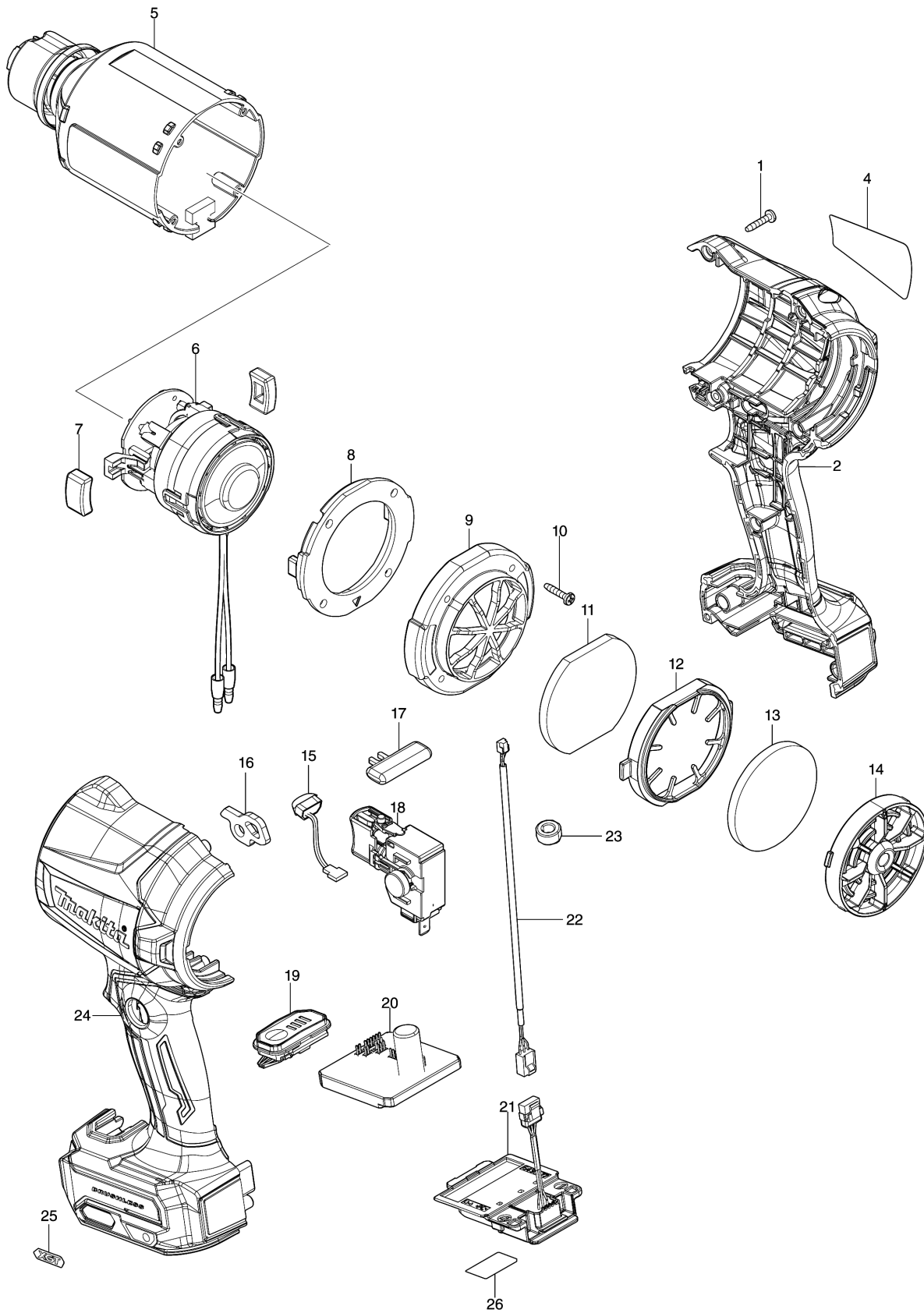


Model No.AS001G CORDLESS DUST BLOWER



Model No.AS001G CORDLESS DUST BLOWER

| Položaj | Številka dela | Opis | Sprememba | Količina | New/Old | Opcijsko 1 | Opcijsko 2 | Opomba |
|---------|---------------|---|-----------|----------|---------|------------|------------|--------|
| 001 | 266130-9 | Samovrezni vijak PT 3X16 6935FD | | 8 | | | | |
| 002 | 191X75-5 | HOUSING L/R SET | | 1 | | | | |
| C10 | 263005-3 | Gumi zatič 6 | | 2 | | | | |
| C20 | 252126-6 | Šesterokotna matica M4-7 MT070 | | 2 | | | | |
| C30 | 8045T0-0 | CAUTION LABEL | | 1 | | | | |
| D10 | | INC. 24 | | | | | | |
| 004 | 8114A9-6 | AS001G NAME PLATE | | 1 | | | | |
| 005 | 141K56-1 | MOTORHOUSING COMPLETE | | 1 | | | | |
| C10 | 422826-4 | SPONGE SHEET | | 1 | | | | |
| 006 | 629A91-4 | MOTOR ASSEMBLY | | 1 | | | | |
| 007 | 422816-7 | MOTOR COVER SEAL | | 2 | | | | |
| 008 | 422817-5 | MOTOR COVER | | 1 | | | | |
| 009 | 413C47-7 | REAR COVER | | 1 | | | | |
| 010 | 266130-9 | Samovrezni vijak PT 3X16 6935FD | | 4 | | | | |
| 011 | 422824-8 | FILTER A | | 1 | | | | |
| 012 | 413C49-3 | FILTER HOLDER | | 1 | | | | |
| 013 | 422825-6 | FILTER B | | 1 | | | | |
| 014 | 141G57-5 | DUST CAP COMPLETE | | 1 | | | | |
| C10 | 263032-0 | Gumi zatič 4 | | 2 | | | | |
| 015 | 620521-2 | LED CIRCUIT | | 1 | | | | |
| 016 | 347914-5 | STRAP RING | | 1 | | | | |
| 017 | 412697-7 | LOCK OFF BUTTON | | 1 | | | | |
| 018 | 650019-5 | SWITCH C3JW-4B-L | | 1 | | | | |
| 019 | 620G89-0 | INDICATION CIRCUIT COMPLETE | | 1 | | | | |
| C10 | 687E52-4 | SWITCH PLATE COMPLETE | | 1 | | | | |
| C20 | 266490-9 | TAPPING SCREW PT 2X6 | | 3 | | | | |
| 020 | 620G88-2 | CONTROLLER | | 1 | | | | |
| 021 | 632R99-1 | TERMINAL UNIT | | 1 | | | | |
| 022 | 638A30-3 | LEAD UNIT | | 1 | | | | |
| 023 | 688131-1 | Linjski filter za enosmerno napetost | | 1 | | | | |
| 024 | 191X75-5 | HOUSING L/R SET | | 1 | | | | |
| C10 | 263005-3 | Gumi zatič 6 | | 2 | | | | |
| C20 | 252126-6 | Šesterokotna matica M4-7 MT070 | | 2 | | | | |
| C30 | 8045T0-0 | CAUTION LABEL | | 1 | | | | |
| D10 | | INC. 2 | | | | | | |
| 025 | 8007R2-2 | XGT LOGO LABEL | | 1 | | | | |
| 026 | 8114B6-9 | AS001G SERIAL NO. LABEL | | 1 | | | | |
| A01 | 191X19-5 | WIDE RANGE NOZZLE SET | | 1 | | | | |
| A02 | 191X11-1 | NOZZLE 3 SET | | 1 | | | | |

Model No.AS001G CORDLESS DUST BLOWER

| Položaj | Številka dela | Opis | Sprememba | Količina | New/Old | Opcijsko 1 | Opcijsko 2 | Opomba |
|---------|---------------|------------------------|-----------|----------|---------|------------|------------|--------|
| A03 | 191X13-7 | NOZZLE 7 SET | | 1 | | | | |
| A04 | 191X15-3 | NOZZLE 13 SET | | 1 | | | | |
| A05 | 191X17-9 | PINCH VAVLE NOZZLE SET | | 1 | | | | |
| A09B | ***DC40RC | DC40RC FAST CHARGER | | 1 | | | | |
| D10 | | COMPO-PARTS | | | | | | |
| A10B | 831304-7 | Accessory Baguum | | 1 | | | | |
| A11B | 832074-1 | TOOL BAG | | 1 | | | | |
| A12B | 191L29-0 | BATTERY BL4020 SET | | 1 | | | | |

Please order the parts with part number.

Print Date 25/2/2022